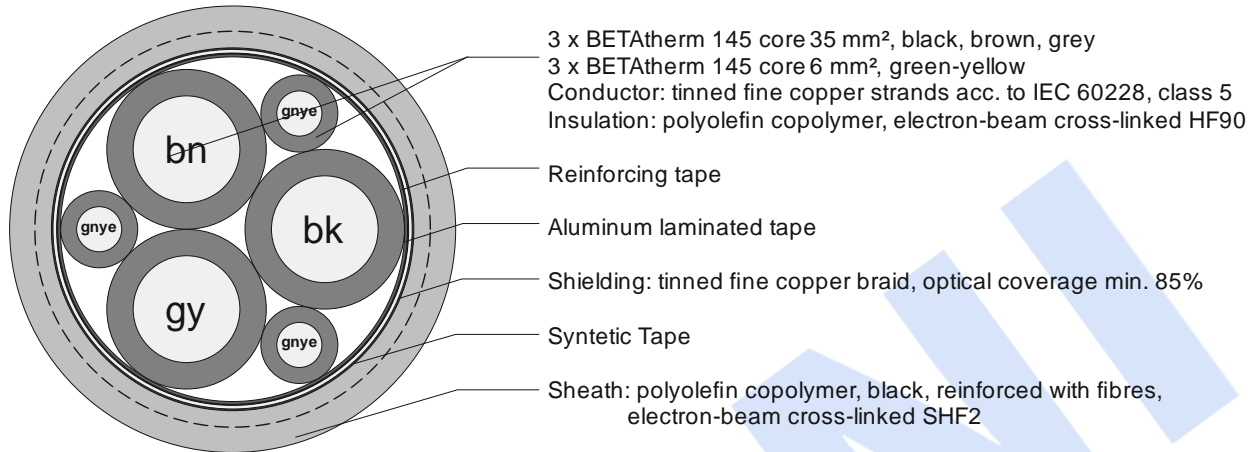


BETAflam 145 C-flex VFD V 0.6/1 kV (1.8/3 kV) 3x35 + 3x6 mm² (reinforced)

Item no.: 315147

Construction



Dimensions (approx.)

Ø BETAtherm 145 core 35 mm ²	12.50 mm
Ø BETAtherm 145 core 6 mm ²	6.00 mm
Ø over core stranding	27.00 mm
Ø over shielding	28.25 mm
Ø cable	34.95 mm

Technical data

Nominal voltage	Uo/U	0.6/1 kV (1.8/3 kV)
Testing voltage	core / core	5000 V
	core / shielding	2500 V
Max. conductor temperature	fixed installation	+145 °C
	occasionally moved	+120 °C
Min. ambient temperature	fixed installation	- 55 °C
	occasionally moved	- 35 °C
Min. bending radius	fixed installation	> 6 x cable-Ø
	occasionally moved	> 12 x cable-Ø
Cable weight		~ 2142 kg/km

Fire performance and material properties

Halogen free	IEC 60754-1, EN 50267-2-1
No corrosive gases	IEC 60754-2, EN 50267-2-2
No toxic gases	NES 02-713, NF X 70-100
Low smoke density	IEC 61034, EN 50268-2
Flame retardant	IEC 60332-1, EN 50265-2-1
Non-flame propagating	IEC 60332-3, EN 50266-2, NF C 32-070
Low fire load	DIN 51900
Cross-linked insulation compound HF90	IEC 60092-360
Cross-linked sheathing compound SHF2	IEC 60092-360

Specifications subject to change without notice

**BETAflam 145 C-flex VFD V 0.6/1 kV (1.8/3 kV)
3x35 + 3x6 mm² (reinforced)**

Item no.: 315147

Standards

IEC 60092-376

Approvals



LEONNI

Specifications subject to change without notice